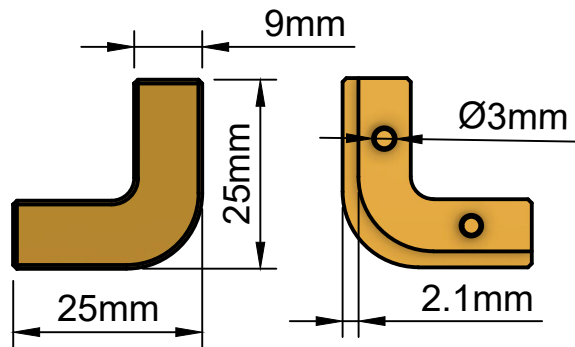
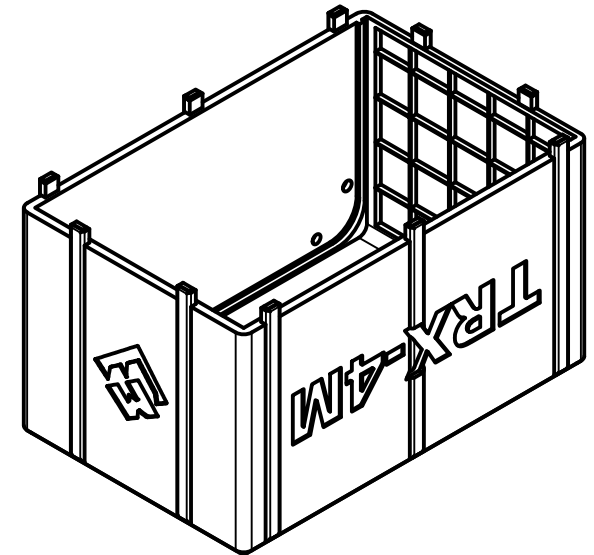
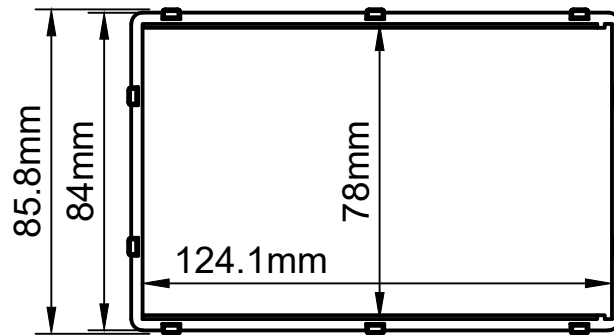
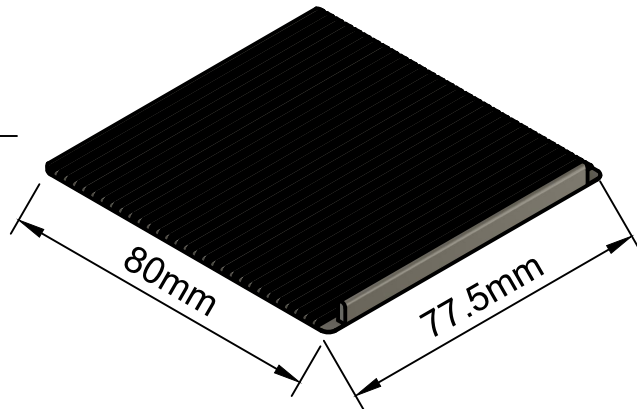



Stützgitter
für 3D-Druck



Dept. MAKERTEAM	Technical reference	Created by S. Lenz	01.2023	Approved by
	Document type	Document status		
	Title TRX4M-Kofferaufbau	DWG No.		
Rev.	Date of issue	Sheet 1/1		